

# VTAP<sup>50</sup>

## **Installation Guide - VTAP50 Reader Module**

VTAP50-MOD

Revised December 2024 v1.0

DOT ORIGIN

**If you need help** to set up or use your VTAP50 module, beyond what is contained in this Installation Guide, then please contact our support team.

Email: [vtap-support@dotorigin.com](mailto:vtap-support@dotorigin.com)

Download the latest documentation and firmware from <https://vtapnfc.com>

Telephone UK and Europe: +44 (0) 1428 685861

Telephone North America and Latin America: +1 (562) 262-9642

**If you have any feedback** on setting up or using your VTAP50 module or this documentation, then please contact our support team. The product is constantly being reviewed and improved and we value feedback about your experience.

**Copyright 2024** Dot Origin Ltd. All rights reserved.

No part of this Installation Guide may be published or reproduced without the written permission of Dot Origin Ltd except for personal use. This Installation Guide relates to correct use of the VTAP50 module only. No liability can be accepted under any circumstances relating to the operation of the user's own PC, network or infrastructure.

Dot Origin Ltd

Unit 7, Coopers Place Business Park, Combe Lane, Wormley

Godalming GU8 5SZ United Kingdom

+44 (0) 1428 685861

## Contents

---

<b>1 Using this guide</b>	<b>1</b>
<b>2 Attach an antenna to the the module</b>	<b>2</b>
2.1 Assemble VTAP50 reader module, matching circuit and antenna .....	2
2.2 Use VTAP development platform (VTAP-MOD-DEV) .....	3
2.3 Procure or design matching circuit and antenna .....	3
<b>3 Mechanical installation</b>	<b>4</b>
3.1 Power .....	4
3.2 Environment .....	4
3.3 Mounting points .....	5
3.4 Optional captive cable connection - RS-232 and USB .....	6
3.5 Optional FFC Connector - USB and TTL serial .....	8
<b>4 Optional external LEDs</b>	<b>9</b>
4.1 Permanently disable on-board LEDs .....	11
<b>5 How the VTAP50 module works</b>	<b>12</b>
5.1 Default operation .....	13
5.2 Start reading your own passes .....	13
5.3 Check status in BOOT.TXT .....	17
<b>6 Module integration instructions - FCC/ISED</b>	<b>19</b>
6.1 Applicable FCC/ISED rules .....	19
6.2 Specific operational use conditions .....	19
6.3 RF exposure considerations .....	19
6.4 Antennas .....	20
6.5 Label and compliance information .....	20
6.6 Information on test modes .....	20
6.7 Additional testing requirements .....	20
6.8 Maintaining Apple ECP2/Access compliance .....	21
<b>7 Hardware lock to disable USB mass storage device</b>	<b>22</b>
<b>8 Find your hardware version</b>	<b>23</b>
<b>9 Disposal</b>	<b>24</b>
<b>A Tested external antennas</b>	<b>A-1</b>

## Safety instructions



### WARNING: INTENDED USE

The VTAP50 module is intended for use by suitably qualified integrators, who will integrate the VTAP50-MOD (PCB) into their own hardware, without any changes or modifications to the VTAP50-MOD device. Components mounted on the VTAP50 module PCB are not user-serviceable. Product safety has been tested to comply with IEC 62368-1.



### WARNING: ESD PRECAUTIONS

We recommend careful handling and storage of Electrostatic Sensitive Devices (ESDs) during installation. The VTAP50-MOD PCB should always be protected by static shielding bags for shipping or storage.



### WARNING: POWER SUPPLY

Use either a MicroUSB to USB cable, **or** the optional captive cable, if any, to connect the VTAP50-MOD PCB to a PC. (**Never** connect both at the same time).

EMC emissions and immunity certifications are only valid when using the VTAP50-MOD with the approved cable and the approved antenna.

**WARNING: FCC COMPLIANCE**

This device when combined with the approved antenna complies with part 15 of the FCC Rules. Operation is subject to the following two conditions:

- (1) This device may not cause harmful interference, and
- (2) this device must accept any interference received, including interference that may cause undesired operation.

NOTE: This equipment has been tested and found to comply with the limits for a Class B digital device, pursuant to part 15 of the FCC Rules. These limits are designed to provide reasonable protection against harmful interference in a residential installation.

This equipment generates, uses and can radiate radio frequency energy and, if not installed and used in accordance with the instructions, may cause harmful interference to radio communications. However, there is no guarantee that interference will not occur in a particular installation.

If this equipment does cause harmful interference to radio or television reception, which can be determined by turning the equipment off and on, the user is encouraged to try to correct the interference by one or more of the following measures:

- Reorient or relocate the receiving antenna.
- Increase the separation between the equipment and receiver.
- Connect the equipment into an outlet on a circuit different from that to which the receiver is connected.
- Consult the dealer or an experienced radio/TV technician for help.

Changes or modifications not expressly approved by the party responsible for compliance could void the user's authority to operate the equipment.

This equipment complies with FCC radiation exposure limits set forth for an uncontrolled environment. This equipment should be installed and operated with a minimum distance of 20 cm between the radiator and a human body.

If the identification number is not visible when the module is installed inside another device, then the outside of the device into which the module is installed must also display a label referring to the enclosed module, Contains FCC ID: 2A282-VTAP50.

Co-location of this module with other transmitters that operate simultaneously are required to be evaluated using the multi-transmitter procedures.

The host integrator must follow the integration instructions provided in this document and ensure that the composite-system end product complies with the requirements by a technical assessment or evaluation to the rules and to KDB Publication 996369.

The host integrator installing this module into their product must ensure that the final composite product complies with the requirements by a technical assessment or evaluation to the rules, including the transmitter operation and should refer to guidance in KDB 996369.

**WARNING: ISED COMPLIANCE**

This device when combined with the approved antenna contains licence-exempt transmitter(s) that comply with Innovation, Science and Economic Development Canada's licence-exempt RSS(s). Operation is subject to the following two conditions:

- (1) This device may not cause interference, and
- (2) this device must accept any interference, including any interference that may cause undesired operation of the device.

This equipment complies with ISED radiation exposure limits set forth for an uncontrolled environment. This equipment should be installed and operated with a minimum distance of 20 cm between the radiator and a human body.

L'émetteur exempt de licence contenu dans le présent appareil est conforme aux CNR d'Innovation, Sciences et Développement économique Canada applicables aux appareils radio exempts de licence. L'exploitation est autorisée aux deux conditions suivantes :

- (1) L'appareil ne doit pas produire de brouillage;
- (2) L'appareil doit accepter tout brouillage radioélectrique subi, même si le brouillage est susceptible d'en compromettre le fonctionnement.

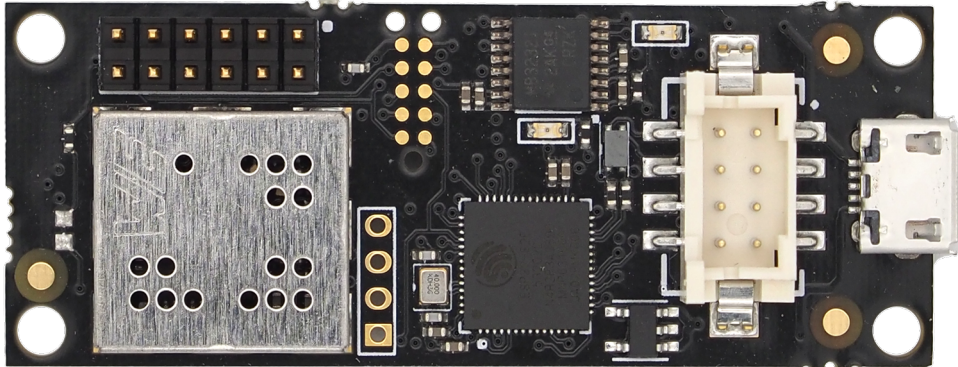
Cet équipement est conforme aux limites d'exposition aux rayonnements de la ISED établies pour un environnement non contrôlé. Cet équipement doit être installé et utilisé avec une distance minimale de 20 cm entre le radiateur et un corps humain.

If the identification number is not visible when the module is installed inside another device, then the outside of the device into which the module is installed must also display a label referring to the enclosed module, Contains IC: 30458-VTAP50.

Si le numéro d'identification n'est pas visible lorsque le module est installé à l'intérieur d'un autre appareil, alors l'extérieur de l'appareil dans lequel le module est installé doit également afficher une étiquette faisant référence au module fourni, Contient IC : 30458-VTAP50.

## 1 Using this guide

This guide is for first-time users of the VTAP50-MOD reader module.



**Figure 1-1 VTAP50-MOD reader module**

It contains the information you need about your VTAP50 hardware.

Consult the VTAP Configuration Guide for more about configuration and maintenance features, including how to update the firmware on your VTAP50 unit, when a new release is available. The firmware on a VTAP50 functions in exactly the same way as that used on a VTAP100, so you can refer to generic VTAP Configuration Guides.

If you need help beyond what is contained in this guide please contact [vtap-support@dotorigin.com](mailto:vtap-support@dotorigin.com).

## 2 Attach an antenna to the the module

The VTAP50-MOD reader module has no on-board antenna. Before you can use any VTAP functionality, it requires connection of an external antenna, with a suitable matching circuit, to the VTAP50-MOD.

There are three options for your first step(s), depending on the stage of your development project:

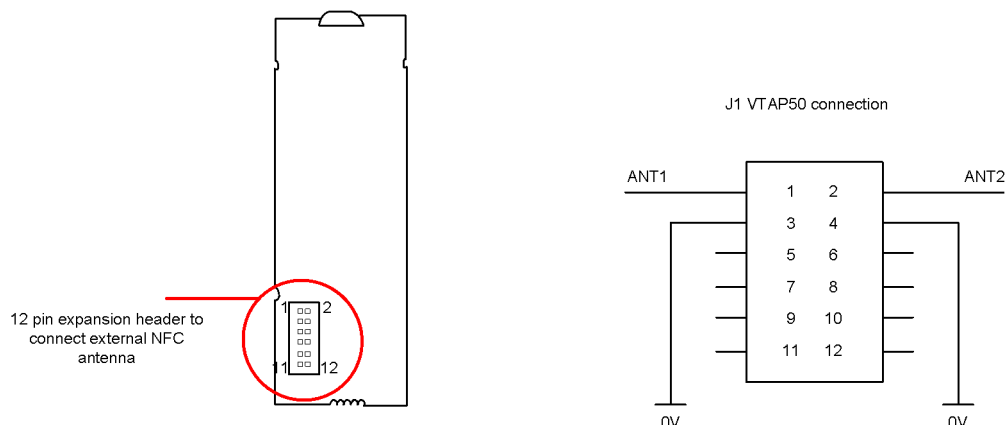
- Assemble the VTAP50-MOD reader module with an already procured matching circuit and antenna.
- Insert the VTAP50-MOD reader module into a VTAP development platform, to provide a temporary antenna, to allow work on configuration to proceed while an antenna is procured/designed;
- Procure or design a suitable antenna and matching circuit, to suit your integration, which might involve building the required matching circuit into the antenna design;

These are discussed in the sections below:

### 2.1 Assemble VTAP50 reader module, matching circuit and antenna

If you bought a VTAP50 reader module (VTAP50-MOD) with a separate matching circuit designed for a specific off-the-shelf or proprietary antenna (VTAP50-M2-xx) you will need to assemble these components.

Attaching an external antenna to the VTAP50 module uses the 12-pin expansion header (also used to connect external LEDs).

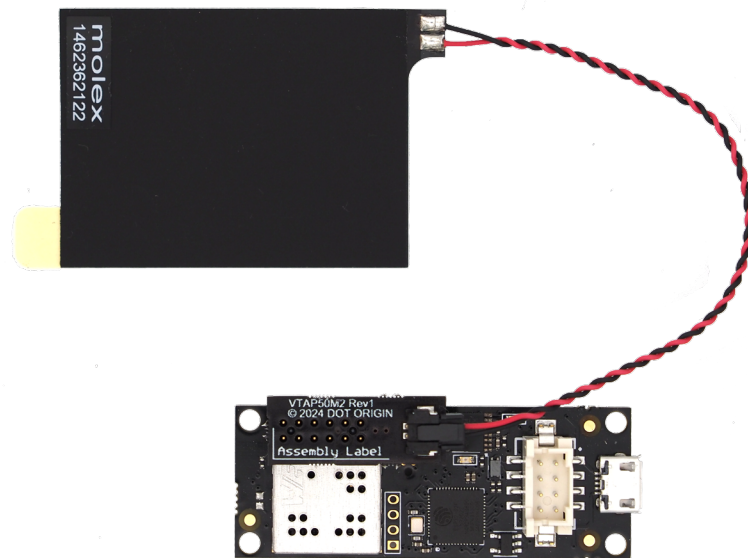


**Figure 2-1 Expansion header to connect external antenna**

The pins 1 and 2 on the expansion header are used for external antenna connection.

Attach the matching circuit to this 12-pin header. Then attach the antenna to the matching circuit board, as in the example below.





**Figure 2-2 Assembly of VTAP50-MOD with matching circuit and antenna**

**CAUTION:** Always ensure sufficient clearance between the VTAP antenna and other RF transmitters, to avoid electromagnetic interference between equipment. Clearance required varies between antennas, depending on antenna size, power and sensitivity.

## 2.2 Use VTAP development platform (VTAP-MOD-DEV)

Insert the VTAP50 reader module into the VTAP development platform - coming soon, contact [vtap-support@dotorigin.com](mailto:vtap-support@dotorigin.com) for details.

## 2.3 Procure or design matching circuit and antenna

If you have not yet chosen or designed an antenna and matching circuit, Dot Origin can provide support for integrating off-the-shelf or custom NFC antennas with VTAP50-MOD readers. Important considerations and examples of tuning circuits suited to specific off-the-shelf antennas are provided in the VTAP Application Notes about external antennas.

**Note:** The VTAP50-OEM module has been EMC tested with its integrated loop antenna, printed on the PCB. The VTAP50-OEM module is designed so that you can carefully break the integrated antenna from the board and connect an external antenna, or buy the VTAP50-OEM without its antenna, sold as VTAP50-MOD.

A list of tested external antennas is provided in Annex **A**. If any external antenna is attached to the VTAP50 module, that new arrangement will require corresponding tuning circuits and EMC approvals. Contact [vtap-support@dotorigin.com](mailto:vtap-support@dotorigin.com) for details about tuning circuit and EMC approvals for the tested external antennas.

### 3 Mechanical installation

The VTAP50 reader module is a PCB which requires connection to an external antenna through a matching circuit, and can be powered either by a micro-USB to USB cable or a captive USB cable.

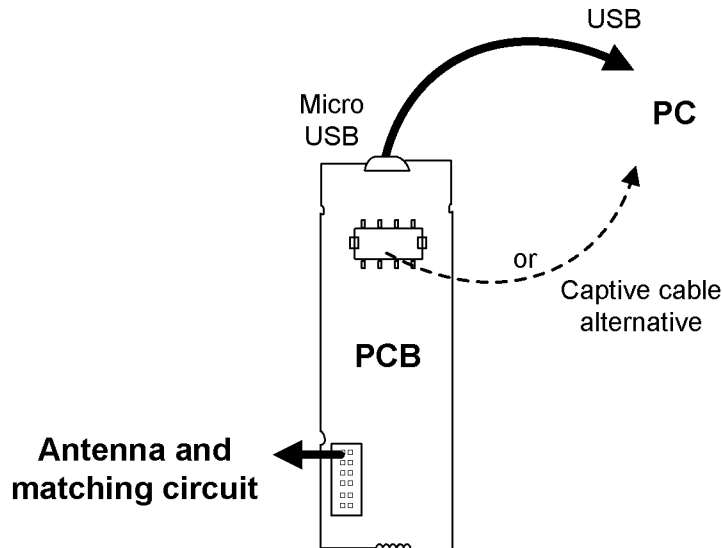


Figure 3-1 VTAP50 module connections - v1 or v2 Hardware



**WARNING:** Observe all **Safety instructions** when installing the VTAP50 PCB.

#### 3.1 Power

Connect the PCB to a PC using either a MicroUSB to USB cable or the optional captive cable (see section [3.4](#)).

The VTAP50 is rated at 5V DC (typ. 110mA, max 150mA) for power over USB.



**WARNING:** Do not power the VTAP50 module until an antenna has been attached. Components can reach higher operating temperatures than normal when an antenna is not attached, which could damage the VTAP reader and cause injury if handled.

#### 3.2 Environment

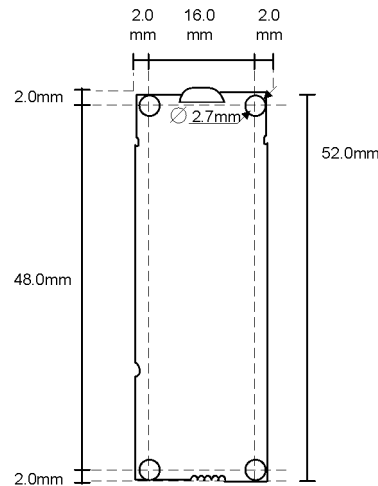
The VTAP50 must be stored and operated under the following conditions:

- Ambient temperature -25 to +70°C (-13 to 158°F)
- Humidity 0 to 95% RH non-condensing
- Pressure 86-106kPa

**CAUTION:** Always ensure sufficient clearance between the VTAP antenna and other RF transmitters, to avoid electromagnetic interference between equipment. Clearance required varies between antennas, depending on antenna size, power and sensitivity.

### 3.3 Mounting points

The PCB has 2.7mm diameter mounting holes for fixing the unit. Use 2-4 small nuts and bolts to mount the board securely.



**Figure 3-2 VTAP50 PCB mounting holes - v1 or v2 Hardware**

The VTAP antenna should not be mounted more than 10mm deep within your enclosure (measuring from the antenna surface to the enclosure surface), so that a user's smartphone will be able to come close enough to the antenna for reliable reading.

The antenna position should be clearly marked and easily accessed, so that users can position their smartphone appropriately. Be aware that antennas are positioned differently in different makes of smartphone. Apple iPhones often have antennas near the top and Android phones are more likely to have an antenna in the middle.

**CAUTION:** Mounting a VTAP antenna near metal can reduce performance of the VTAP50 module, because metal can distort the NFC field. Never allow a metal surface between the VTAP50 module antenna and the user's phone or card. If you have to mount the VTAP50 module antenna near metal, you should ensure the separation is:

- at least 6mm and insert a ferrite sheet between the VTAP50 module antenna and any metal surface behind the reader, or
- at least 25mm separation between the VTAP antenna and any metal.

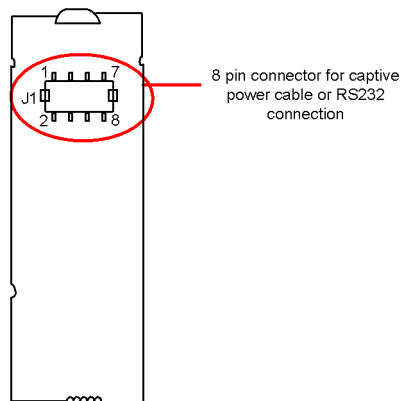
Testing should be performed in the proposed mounting location, as other devices and structures in close proximity could affect pass reading performance.

### 3.4 Optional captive cable connection - RS-232 and USB

The PCB has a special connector J1 (an 8 pin, 2mm pitch header connector) which can be used to attach a captive cable with a matching crimp housing, for RS-232 or an alternate USB connection.

The standard connector fitted to the PCB, in most cases, is a Hirose DF11CZ-8DP-2V male header plug with shroud. The matching crimp housing is the Hirose DF11-8DS-2C.

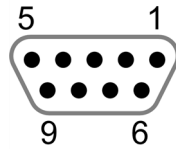
**CAUTION:** If the J1 connector on your PCB does not include a shroud, to guide the matching wires into place, you can use a wider range of mating connectors. Do please take extra care to ensure your connecting cable is oriented correctly to match the pins.



**Figure 3-3 VTAP50 captive power cable or RS-232 connection - VTAP50 v1 Rev 2 or v2 Hardware onwards**

The connector J1 includes both USB and RS-232 signals, as follows:

Pin	Function
1	GND
2	USB D+
3	+5V supply
4	USB D-
5	RS232 RXD (input)
6	Reserved (sense input)
7	RS232 TXD (output)
8	Reserved (sense GND)



**Figure 3-4 Typical RS-232 cable**

A typical RS-232 cable has the following DB9 female connector pinout:

Pin	Function
2	TXD
3	RXD
5	GND
9	+5V supply

A PC or terminal RS-232 connector is usually DTE (data terminating equipment), typically a male DB9 with TXD on pin 3 and RXD on pin 2. The appropriate connecting cable is then a DCE (data communications equipment) female DB9. TXD and RXD pins are swapped between the DCE and DTE devices, so that the transmit pin on one connects to the receive pin on the other.

The VTAP50 requires a 5V power supply, but not all RS-232 devices have 5V on pin 9. Either:

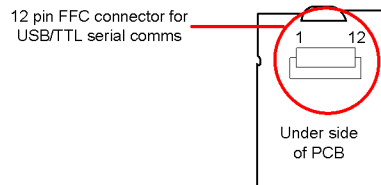
- Disconnect the USB cable before making the serial connection, if power will be provided by J1 (pins 1 and 3) and the serial cable/host.
- Or retain a USB connection in addition to the serial connection, if power is not available from your RS-232 device.

Some serial cables have a separate DC 5.5/2.1mm barrel connector to supply power. In these cables, typically, the centre pin is +5V and the outer barrel is GND.

### 3.5 Optional FFC Connector – USB and TTL serial

The FFC connector is found on the under side of the VTAP50 module PCB.

Make a TTL 3.3V serial connection to pins 8 and 9 of the 12 way 0.5mm FFC connector:



**Figure 3-5 FFC connector (where fitted) – VTAP50 v2**

Pin	Function
1	-
2	-
3	-
4	-
5	-
6	USB D+
7	USB D-
8	Tx (serial comms 3V3)
9	Rx (serial comms 3V3)
10	USB 0V
11	USB +5V
12	-

Enabling the RS-232 serial port in your VTAP configuration will enable these TTL pins as well as the usual RS-232 interface.

The RS-232 serial interface on the main 8-pin connector is generally preferred because these TTL signals are not buffered and are not 5V tolerant, so must be used with caution, to interface with other 3.3V circuits only.

You can control and configure the VTAP through this serial RS-232 TTL interface, either by itself or while retaining the USB keyboard emulation output mode, which can be useful when testing. You can change the way the data is presented (eg with prefixes and postfixes) to suit your target receiving device/application.

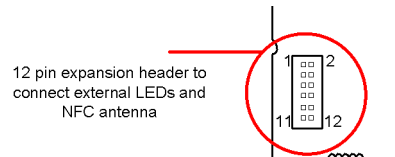
## 4 Optional external LEDs

An external RGB LED can be configured to show a default colour permanently, and then automatically change colour (or flash) in response to a successful pass read, successful card read or other error conditions. This is done by changing the `config.txt` file. The external RGB LED can also be driven over a command interface.

On VTAP50 v2 boards with firmware from v2.1.11.2, a chain of serial LEDs can be connected to the serial LED connection on the expansion header. A chain of serial LEDs supports more complex LED options and requires a special `leds.ini` file to control their behaviour. This special configuration is explained in the VTAP Configuration Guide.

**Note:** Where status LEDs are fitted alongside a chain or matrix of serial LEDs, they duplicate the behaviour of the first two LEDs in the chain. If this is problematic for your application, consider the option to **Permanently disable on-board LEDs**.

Connect your external LED to the expansion header:



**Figure 4-1 Expansion header - VTAP50**

Pin	Function
1	Remote antenna
2	Remote antenna
3	GND
4	GND
5	+3V3 (out)
6	+5V (in/out)
7	LED (red) / LED serial 5V logic
8	LED (green)
9	LED serial 3V3 logic
10	LED (blue)
11	Rx (serial comms 3V3)
12	Tx (serial comms 3V3)

The external LED outputs are buffered 5V without any current limiting resistors, so you should attach a RGB LED board module that includes built-in current limiting resistors. (We recommend 15mA per LED output at 5V, so the maximum current required is 350mA. External LEDs should be decoupled, with 10 $\mu$ F bulk capacitance per LED along the LED path) The VTAP50 can support both common cathode and common anode, by changing the `LEDSelect` setting in the `config.txt` file.



## 4.1 Permanently disable on-board LEDs

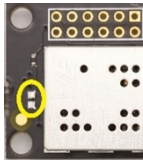
If you are using optional external LEDs you may want to permanently disable the on-board LEDs.

The on-board LEDs are fed from the same serial LED lines (though buffered) as those provided on the expansion pads, as LEDs 0 and 1 in the chain. Since external LEDs will also use these addresses, it may be necessary to disable the on-board LEDs, if they are not also required for your application.

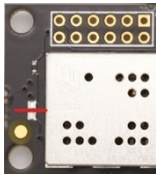
Where fitted, the two serial on-board LEDs are visible on the underside of the VTAP50 module board:



Turning to the top of the VTAP50 module board, you can identify the associated pads:



Using a sharp knife, cut the track between the pads, following the red line in the picture below:



## 5 How the VTAP50 module works

---

The VTAP50-MOD module contains all of the VTAP50 wallet pass reading technology. When it is combined with an antenna and a suitable tuning circuit you will be able to connect the VTAP50-MOD to a PC, and simply tap your smartphone in the field of the antenna. Your mobile NFC pass will be read and payload data sent onwards as defined in the VTAP configuration.

Of course, the data can only be read if your phone contains a mobile NFC pass, which has been issued in connection with the Merchant ID(s)/Collector ID(s) and ECC key(s) that are known to the VTAP50. The unit comes with default values, so that you can test **Default operation on factory settings** before you begin customising any settings.

When the VTAP50-MOD is connected to a computer it appears as a generic mass storage device (like a memory stick). To configure your VTAP50, you simply edit or create text files. These will be read automatically, and control the operation of the VTAP50. Consult the VTAP Configuration Guide for more detail. The firmware on a VTAP50 functions in exactly the same way as that used on a VTAP100, so you can refer to generic VTAP Configuration Guides.

By default the VTAP50 is fully upgradable in the field. However, the VTAP50 can be locked in software or hardware, before deploying the unit, so that operation is no longer easily changed.

## 5.1 Default operation

Before anyone changes the configuration from its default, you can confirm that the unit is working, as soon as an external antenna and matching circuit have been attached.

These steps demonstrate that the hardware can detect and interact with an OriginPass demo mobile NFC pass, which is ready to work with the default configuration of your VTAP50 module.

1. Obtain an OriginPass from Dot Origin by visiting <https://originpass.com/VTAP/> and add it to Google or Apple Wallet. (You will require a username and password – contact [vtap-support@dotorigin.com](mailto:vtap-support@dotorigin.com) to get these.)
2. Connect the VTAP50 module to your PC, using a USB cable.
3. Open a text editor, such as Windows Notepad.
4. When you tap the OriginPass on the VTAP50 module antenna:
  - Pass contents will be displayed in the open text editor, through keyboard/barcode emulation.
  - The feedback LEDs on the VTAP50 module PCB will flash green.
  - Your smartphone may signal with a buzz or beep.

**Note:** Some Android phones will only interact if their screen is on, although it does not need to be unlocked. You may need to enable NFC in the settings for the smartphone.

**Note:** If the pass detected does not match the key and ID on the VTAP, or is moved away too quickly to be read, the pass contents displayed may be an 8 digit random hex string, such as '08E22AC1', different on each presentation. OriginPass contents will be a consistent string, such as '3~ffymeK9f\_mziYtA6~53999301628695~Valued'. Any separator, such as '~' or '|', will depend on your keyboard language settings. (See VTAP Commands Reference Guide for option to ignore random UIDs if needed.)

**Note:** If local security settings prevent or limit the use of removable storage devices, or the connection of additional keyboards, an administrator may need to alter those permissions.

## 5.2 Start reading your own passes

If you navigate to the VTAP in the computer's file system, it will appear as an attached mass storage device and list the files contained, including the main `config.txt` file.

To read any mobile NFC pass, you will need to provide your pass reading parameters in the `config.txt` file. This means a collector ID or merchant ID and ECC keys. These allow you to read and decrypt pass data that is held by your users, on their smartphones. (There is a VTAP Application Note which explains more about ECC key pairs and how to generate your own keys.)

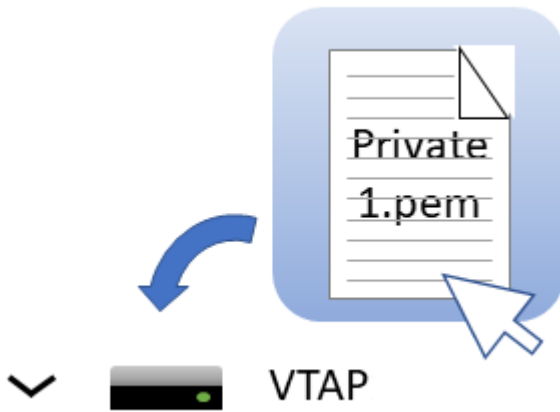
This first time, you will need to connect the VTAP50 module to your PC, using a USB cable. (If needed, you can make changes remotely in future over a virtual COM port or serial port, see VTAP Serial Integration Guide.)

### Step 1: Upload private key file(s) to your VTAP50 module

1. Ensure these are ECC private key(s). Each is stored in a file with the name `private#.pem`, following the `.pem` format, where # is replaced with a number from 1 to 6, matching the key slot you will save it in. (The demo passes are accessed using the key in KeySlot 6, so don't overwrite this one unless you are finished with Dot Origin demo passes.)

**Note:** A VTAP reader cannot use more than 6 private key files.

2. Load your keys by copying these files onto your VTAP50 module, which shows up in the file system of your PC as a mass storage device.



**Note:** When you reboot the VTAP50 module your key will have been stored in hardware, and will no longer be listed as a file on the device. You can confirm key file (s) have been loaded when you **Check status in Boot.txt**. If the key file does not disappear and there is an error in `Boot.txt`, check your `.pem` file as it is likely it did not adhere to the standard - perhaps it was not an ECC key?

**Step 2: Declare Merchant ID(s)/Collector ID(s) in the `config.txt` file**

1. Open the file `config.txt` in a text editor (such as Windows Notepad). It already contains parameters for accessing the demo passes, prefixed `VAS1` and `ST1`, both relying on KeySlot 6. You can overwrite these, or keep them in addition to your own pass reading parameters.
2. Add your pass reading parameters in the `config.txt` file to access up to 6 Apple VAS and up to 6 Google Smart Tap IDs, and identify the keys to be used in each case.

**Note:** Although the VTAP50 module supports multiple IDs, Apple expect most users will only use one. Multiple collector IDs are not supported by Android, which means you cannot request more than one Collector ID from Google. Only one should be live at any one time. Multiple IDs is an advanced feature that should be used with care. The `VAS#` and `ST#` numbers define the order in which IDs will be requested from Apple or Android phones respectively. The lowest numbered ID will be requested first, then continuing in ascending numeric order. (There is a VTAP Application Note on Multiple Passes which explains more.)

Put each parameter on a new line. Order of parameters does not matter to the VTAP50 module, but could help other people who need to edit the file. Start any comment lines in the `config.txt` file, that the VTAP50 module should ignore, with a semicolon. Each parameter should only appear once - if it accidentally appears more than once then only the last instance will take effect.

**Example: Settings in `config.txt` to interact with both Apple VAS and Google Smart Tap mobile passes**

```
!VTAPconfig

VAS1MerchantID=<your merchant ID>
VAS1KeySlot=1
; This says use the key added as file 'private1.pem' to read and
; decrypt any pass connected to your merchant ID on an Apple iPhone

ST1CollectorID=<your collector ID>
ST1KeySlot=2
ST1KeyVersion=1
; This says use the key added as file 'private2.pem' at key version 1
; to read and decrypt any pass connected to your collector ID
; on an Android phone
```

3. Save the amended `config.txt` file and these changes will take effect immediately. (A small number of changes to the `config.txt` file require a reboot to take effect, for instance to the status of the virtual COM port, but these are highlighted in later sections).

**Note:** If a `VAS#KeySlot` parameter is omitted, or set to 0, then all available keys will be automatically tried to choose the right key. If the data received by the VTAP50 module cannot be decrypted, the Apple iPhone will register a pass read, but the data will not be output.

**Note:** If an `ST#KeySlot` parameter is omitted, or set to 0, then authentication will be omitted and decryption will not be performed. In this case, Google Smart Tap data will be received and sent on by the VTAP50 module, only if the pass does not require authentication by the terminal.

### 5.3 Check status in `BOOT.TXT`

If you navigate to the VTAP50 module in the computer's file system. It will appear as an attached mass storage device and list the files contained, including the `BOOT.TXT` file.

Inspecting `BOOT.TXT` will give you essential information about your VTAP50 module set up, at time of last reboot, which might be helpful when troubleshooting.

```
VTAP50
Boot time: 1970/01/01 00:00:00
Firmware: V2.2.4.0
Storage: Dataflash
Status: 0
Hardware: 2.00
Expansion: None
VCP enabled
NCI: 0471125005-8C00
Serial number: 563230-29F1F2ADC2261743BDB1B8405FFD603E
API level: 4
AppKeys used: 123-----
KeySlots used: ----56
```

**Figure 5-1 Example VTAP50 v2 `BOOT.TXT` file**

You are most likely to need:

- 'Serial number' - the hardware serial number for your VTAP50 module.
- 'VTAP label' (if set) - the assigned serial number for your VTAP50 module, which matches that on its label. This will not show if not set.
- 'Firmware' - the VTAP50 module firmware version in use. You will find the latest firmware versions at <https://www.vtapnfc.com/download/>
- 'Hardware' - the VTAP50 module hardware version in use.
- 'API level' - indicates which serial or OSDP API commands are supported.
- 'KeySlots used:' - Indicates the ECC private keys loaded on the VTAP to access VAS or Smart Tap passes. Helps you check whether you have uploaded the necessary ECC private keys, which can be unclear as the files are deleted when they are uploaded. These two examples show how to read this information:
  - 'KeySlots used:-----' shows that no keys have been uploaded.
  - 'KeySlots used: 12--56' shows that key files 1 and 2 have been successfully uploaded, in addition to the defaults 5 and 6.
- 'AppKeys used:' Indicates the application keys (if any) uploaded to the VTAP for any other applications, such as keys loaded to use with DESFire applications.
- 'VCP enabled', if included - indicates that the virtual COM port has been enabled.

- 'Status' - should be 0 if operating normally, anything else indicates an error state.
- 'Boot time' - The time at boot, which defaults to 1970/00/00 00:00:00 if power is removed to reboot.

If the configuration has been locked the `BOOT.TXT` file will end with the words LOCKED S/W or LOCKED H/W.



## 6 Module integration instructions – FCC/ISED

The VTAP50 OEM module has been designed to comply with the limits for a Class B digital device, pursuant to Part 15 of the FCC Rules. (The VTAP50-OEM is a VTAP50 reader module with a specific built-in antenna.) Operation is subject to the following two conditions:

- (1) This device may not cause harmful interference.
- (2) This device must accept any interference received, including interference that may cause undesired operation

These instructions must be followed to maintain the FCC/ISED approval for the VTAP50 OEM module, when it is integrated into a host system.

**CAUTION:** Changes or modifications made to the VTAP50 OEM module, that have not been expressly approved by Dot Origin Ltd could void the user's authority to operate the equipment.

### 6.1 Applicable FCC/ISED rules

The VTAP50 OEM module operates at 13.56MHz and is therefore subject to FCC/ISED rules for radio frequency devices.

### 6.2 Specific operational use conditions

The VTAP50 OEM module must be stored and operated under the following conditions:

- Ambient temperature -25 to +70°C (-13 to 158°F)
- Humidity 0 to 95% RH non-condensing
- Pressure 86-106kPa

### 6.3 RF exposure considerations

The VTAP50-OEM module, which is a VTAP50 reader module with a specific built-in antenna, complies with FCC/ISED RF radiation exposure limits set for an uncontrolled environment. This equipment should be installed and operated with a minimum distance of 20 cm between the radiator and a human body.

Screened cable should be used, wherever possible, to connect VTAP50 OEM modules to other devices, to avoid interference from other equipment.

The end-user manual for the host equipment, that contains a VTAP50 OEM module, must clearly indicate the operating conditions to be observed, so that the user remains in compliance with current FCC/ISED RF exposure guidelines.

## 6.4 Antennas

The VTAP50 OEM module has been tested with its integrated loop antenna, printed on the PCB. The VTAP50-OEM module is designed so that you can carefully break the integrated antenna from the board, at which point it becomes a VTAP50-MOD reader module, and you can connect an external antenna. A list of tested external antennas is provided in Annex . If any external antenna is attached to the VTAP50, that new arrangement will require a corresponding tuning circuit and FCC/ISED approval. Contact [vtap-support@dotorigin.com](mailto:vtap-support@dotorigin.com) for details about tuning circuits and FCC/ISED approval for the tested external antennas.

## 6.5 Label and compliance information

The integrator must attach a label to the new equipment, hosting the VTAP50 OEM module, which states 'Contains FCC ID: 2A282-VTAP50' for FCC approval and 'Contains IC: 30458-VTAP50' for ISED approval.

## 6.6 Information on test modes

The following test modes are recommended to achieve states of maximum emission levels or susceptibility in the VTAP50 OEM module:

1. VTAP50 OEM module powered on. Communicating with PC over USB. Continuously reading tag.
2. VTAP50 OEM module powered on and tag present, but not communicating with external device.

## 6.7 Additional testing requirements

The VTAP50 OEM module will only be FCC/ISED authorised for use in compliance with the specific FCC/ISED transmitter rules listed on the grant. The integrator is responsible for compliance to any other FCC/ISED rules that apply to the host, which are not covered by the modular transmitter grant of certification.

The final host product, with the VTAP50 OEM module installed, will still require Part 15 Subpart B compliance testing, to evaluate transmission effects when the VTAP50 OEM module and host equipment operate at the same time. Be aware that additional testing can be required on the final integrated system. We recommend integrators refer to further advice from the FCC OET Knowledge Base, such as [\*\*996369 D04 Module Integration Guide v02\*\*](#).

## **6.8 Maintaining Apple ECP2/Access compliance**

In order to maintain Apple ECP2/Access compliance, it is essential that the new equipment hosting the VTAP OEM module is tested. This must ensure that the new equipment will read mobile wallet NFC passes when a smartphone is held at least 4cm from the surface of the equipment (both with and without Express mode enabled on the Access pass in the wallet).

## 7 Hardware lock to disable USB mass storage device

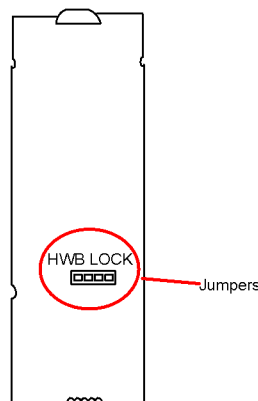
You can lock the VTAP reader so that its firmware and configuration cannot be changed. You can either do this in software, or simply disable the mass storage device in hardware.

A software lock prevents changes but leaves the file system readable. A hardware lock means that the VTAP reader will no longer be detected as a USB mass storage device. (It will still behave as an HID keyboard device and, if enabled, the virtual COM port will behave as a composite USB device consisting of HID keyboard and USB virtual COM port.)

You can use a hardware lock provided that the jumper labelled LOCK (close to the MicroUSB connector) remains accessible.

**Note:** On VTAP50 OEM or modules, although the contact is present, connector pins and jumpers will need to be supplied.

Connect a jumper across LOCK on the PCB to lock the device, preventing firmware or configuration changes via the mass storage device. (You may still update firmware or configuration via command interfaces, virtual COM port or serial ports, if they are enabled.)



**Figure 7-1 Jumper positions on VTAP50 PCB v1 or v2 hardware**

When you start the VTAP50 module, the presence of this jumper means the connected PC will not detect a USB mass storage device, only a keyboard (or keyboard and virtual COM port).

When you remove the jumper across LOCK and restart the VTAP50 module, it will be detected as a USB mass storage device and you can make firmware or configuration changes again.

## 8 Find your hardware version

If you need to report a problem with your VTAP50 module or find the right reference diagram you will need to know your hardware version.

### **If you can connect your VTAP50 module to a PC, you can easily check the BOOT.TXT file.**

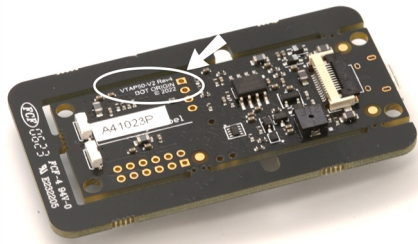
If you navigate to the VTAP50 module in the computer's file system. It will appear as an attached mass storage device and list the files contained, including the `BOOT.TXT` file.

Inspecting `BOOT.TXT` you will find a number next to the word `Hardware :` such as `v2`. This is the Hardware version in use.

Alternatively, over a serial connection to the VTAP50 module, sending the `?b` command will return the `BOOT.TXT` information.

### **If you cannot power the VTAP50 module**

You will find the version number is printed on the PCB, such as "VTAP50-V2 Rev4 DOT ORIGIN ©2022" in the photo below, which is VTAP50 v2 hardware.



## 9 Disposal

---

For safety and sustainability, it is the responsibility of the integrator to ensure that when equipment containing a VTAP50 module reaches the end of its life, it is recycled in accordance with WEEE Regulations within the EU.



VTAP50 module (PCB and cables) should not be disposed of in general waste. If you wish to discard electrical and electronic equipment (EEE), please contact your supplier for further information.



## A Tested external antennas

The antenna types listed below have all been tested by Dot Origin, in place of the VTAP50-OEM integrated loop antenna, and found to be compatible.

**Table A-1 Tested external off-the-shelf antennas**

Manufacturer	Antenna model	Antenna description	Dimensions	Certification status
Pulse Antennas	W7002	NFC wire loop antenna	94mm x 56mm	No certification
Pulse Antennas	W7013	Planar NFC antenna with ferrite	30mm x 25mm	No certification
Molex Antennas	146236-2131	NFC coil with AWG28 wire and connector	45mm x 55mm	No certification
Molex Antennas	146236-2122	NFC coil with AWG28 wire and connector	34mm x 46mm	No certification
Molex Antennas	146236-2102	NFC coil with AWG28 wire and connector	15mm x 25mm	No certification
Molex Antennas	146236-2151	NFC coil with AWG28 wire and connector	15mm x 15mm	No certification

**Table A-2 Tested external custom antennas**

Custom antenna reference	Dimensions	Certification status
ANT-1	40mm x 40mm	No certification
ANT-2	82mm x 22mm	FCC/ISED certified

Custom antennas are usually developed for third-parties and are not available for sale.

**Note:** When an external antenna is attached to the VTAP50, that new arrangement will require a corresponding tuning circuit and EMC approvals. Contact [vtap-support@dotorigin.com](mailto:vtap-support@dotorigin.com) for details about tuning circuits and EMC approvals for the tested external antennas.